



Ultradoser 2K SPECIFICATION



Ultradoser 2K SPECIFICATION

Ultradoser 2KS/A – Technical Specifications

Materials:	Stainless Steel Series 300*
Weight:	32 lbs (14.5 kg)
Body Dimensions:	18"H x 6"W (762 x 152 mm)
Dosing Head Dimensions:	9.5"H x 2"W (241 x 50.8 mm)
Arm Reach:	12" - 18" (304.8 - 457 mm)
Head Pressure:	0.45 psi (0.03 bar)
Nozzles:	Ships with 0.040", 0.050", 0.060" 0.020" - 0.100" (0.005" increments) available
System Utilities:	Liquid Nitrogen: Portable Dura-Cyl dewar – 22 psi (1.5 bar) Bulk Tank (House Fed) System (with Chart Phase Separator) – 100 psi (6.9 bar) Maximum flow rate 15 gallons (56 liters) per hour Gas Nitrogen: 60 to 100 psi (4.1 to 6.9 bar) 10 SCFH gas per 100 bottles (or containers) per minute Electrical Supply: 100-240 VAC 50-60Hz 110 W
Steady State Consumption:	0.04 gal (0.15 liter) / hour
EP Head Compatible:	Yes
Quick Service Feature:	NO
Vacuum Insulated:	Yes
Soft Dose Compatible:	Yes
No Bottle, No Dose Feature:	Yes
Hose Length:	3m (NOTE: Longer hoses up to 18 meters (60ft) available upon request)

Ultradoser 2K SPECIFICATION

Controller – Technical Specifications

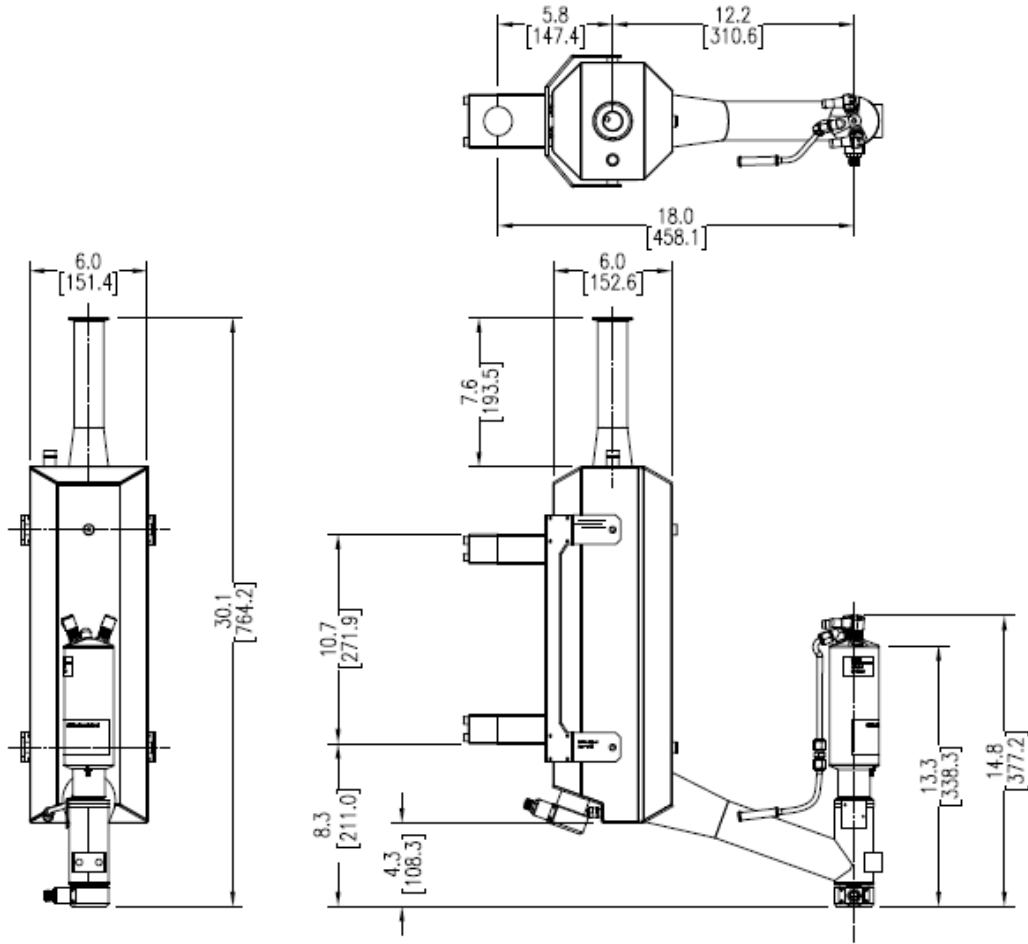
PLC Platform	Allen-Bradley ML1400 or Siemens S7-1200
Display	7" (178 mm) TFT Color LCD Touch Screen
Dose Duration	5.5 to 1000 ms (0.1 ms intervals)
Dose Volume	0.002 to 14 grams/dose
Encoder Compatible	Yes
Maximum Discrete Dosing (cpm)	2000 CPM / 120,000 PH
MicroDose™ Technology	Yes
Line Speed Auto Detect	Yes
Electronic Dose Targeting	Yes
Fixed Delay Mode	Yes
Speed Compensated Mode	Yes
Accuracy	± 2% of dose weight
Multiple Languages	Yes
RemoteDose™ Capable	Yes
IntelliDose™ Capable	Yes
Recipe Storage	Yes
Certifications	CE, NEMA 4X
Materials:	Stainless steel construction. Built to food and beverage industry standards.

General Information

Crate Dimensions:	58"L x 58"W x 24"H (1473 x 1473 x 609mm) 300 lbs with stand (136 kg) 225 lbs without stand (102kg)
-------------------	--

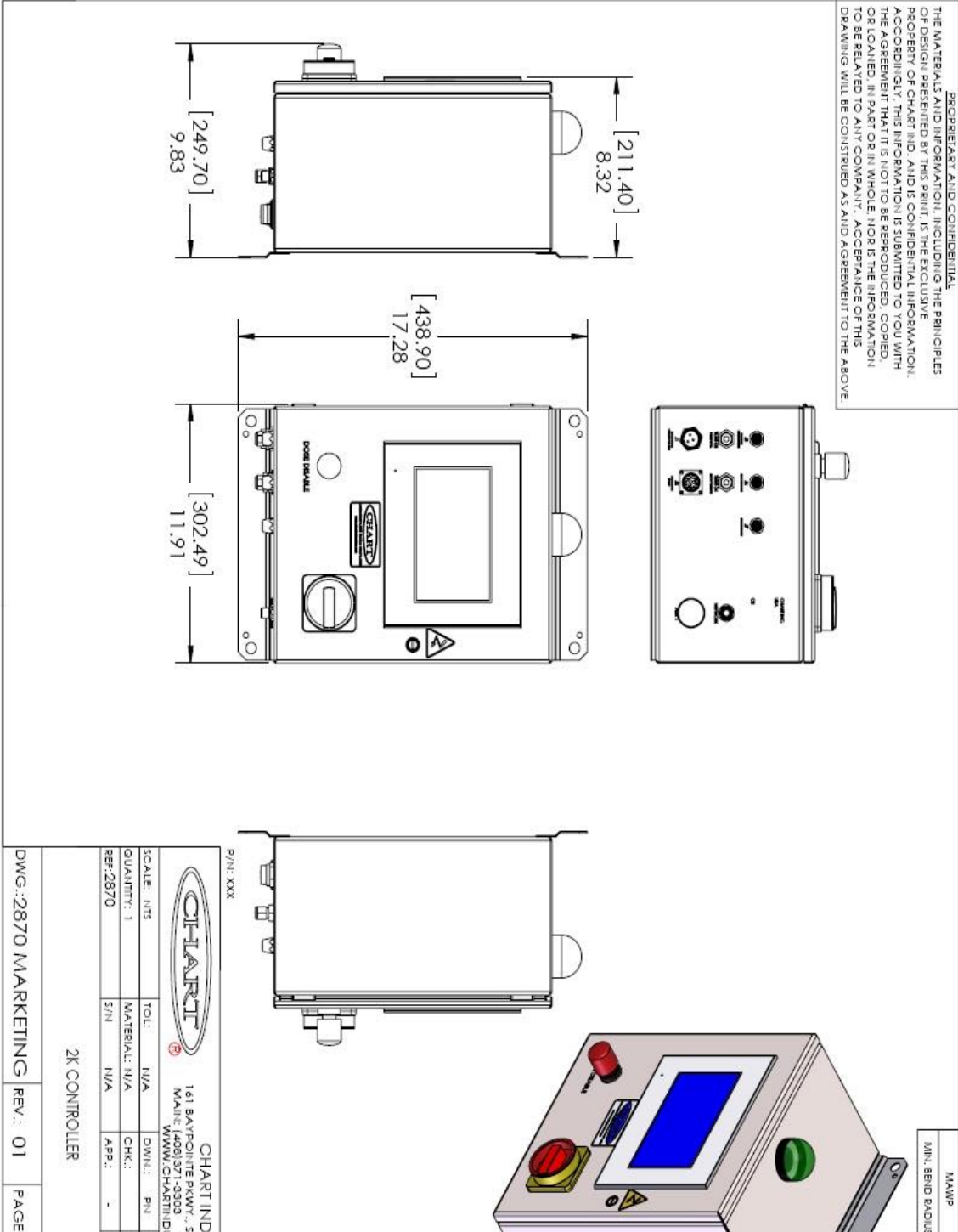
Ultradoser 2K SPECIFICATION


Cryodoser Body Dimensions



Ultradoser 2K SPECIFICATION

2KS Controller Dimensions



1 OF 1	INDUSTRIES SAN JOSE, CA 95134 FAX: (408)577-1567 INDUSTRIES.COM DATE: 8-2-15 DATE: DATE:		M/A N/A
--------	--	--	------------

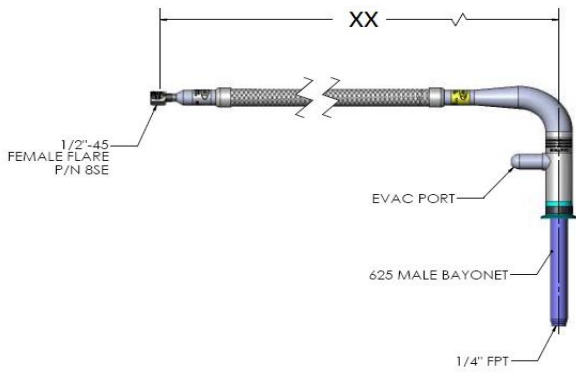
www.Chartdosers.com

Ultradoser 2K SPECIFICATION

Example of Liquid Nitrogen Feed Hose

SECRETARY AND CONFIDENTIAL
 THE MATERIALS AND INFORMATION, INCLUDING THE PRINCIPLES OF DESIGN PRESENTED BY THIS PRINT, IS THE EXCLUSIVE PROPERTY OF CHART IND. AND IS CONFIDENTIAL INFORMATION. ACCORDINGLY, THIS INFORMATION IS SUBMITTED TO YOU WITH THE AGREEMENT THAT IT IS NOT TO BE REPRODUCED, COPIED, OR LOANED, IN PART OR IN WHOLE, NOR IS THE INFORMATION TO BE RELATED TO ANY COMPANY. ACCEPTANCE OF THIS DRAWING WILL BE CONSTRUED AS AN AGREEMENT TO THE ABOVE.

MAWP	200 PSIG
MIN. BEND RADIUS	

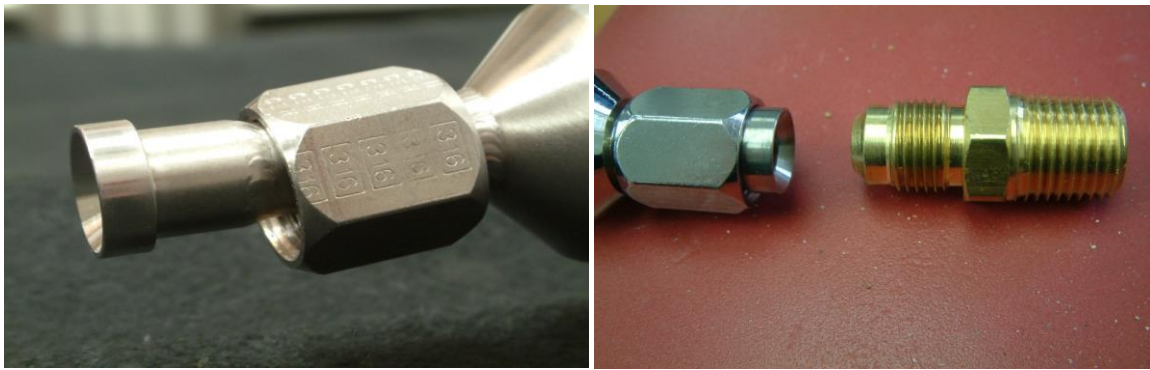


P/N: 123-088-20

CHART			
CHART INDUSTRIES 161 BAYPOINTE PKWY. SAN JOSE, CA 95134 MAIL: (408)577-13303 FAX: (408)577-1567 WWW.CHARTINDUSTRIES.COM			
SCALE: NTS	TOL: N/A	DWN: LB	DATE: 01/31/12
QUANTITY: 1	MATERIAL: 304 SS	CHK: -	DATE: -
REF: 16006	S/N: N/A	APP: -	DATE: -

1/2" CRYOTECH FLEX LN2 SPOOL SECTION
 (1) 1/2" FEMALE FLARE
 (1) 625 MALE BAYONET

REV.	DESCRIPTION	DRAWN BY	APPROVED	DATE	DWG.: CSJ-00009.5	REV.:	PAGE: 1 OF 1
------	-------------	----------	----------	------	-------------------	-------	--------------



- Start connection Type: 1/2 SAE 45 (AKA 1/2" JIC)
- Enc Connection Type 625 Male Bayonet with 1/4" FPT thread for filter insert
- Wrapping Options: Available in Braided outer or Spiral Wrapped

Length: Dosing systems come with 3m as standard. Option to increase length in 300mm increments up to 18m in total

Material: 316 Stainless Steel

Weight: Length dependent

www.Chartdosers.com