



Ultradoser 500S Specification



Ultradoser 500S Specification

Ultradoser 2KS/A – Technical Specifications

Materials:	Stainless Steel Series 300*
Weight:	32 lbs (14.5 kg)
Body Dimensions:	18"H x 6"W (762 x 152 mm)
Dosing Head Dimensions:	9.5"H x 2"W (241 x 50.8 mm)
Arm Reach:	12" - 18" (304.8 - 457 mm)
Head Pressure:	0.45 psi (0.03 bar)
Nozzles:	Ships with 0.040", 0.050", 0.060" 0.020" - 0.100" (0.005" increments) available
System Utilities:	<p>Liquid Nitrogen: Portable Dura-Cyl dewar – 22 psi (1.5 bar) Bulk Tank (House Fed) System (with Chart Phase Separator) – 100 psi (6.9 bar) Maximum flow rate 15 gallons (56 liters) per hour</p> <p>Gas Nitrogen: 60 to 100 psi (4.1 to 6.9 bar) 10 SCFH gas per 100 bottles (or containers) per minute</p> <p>Electrical Supply: 100-240 VAC 50-60Hz 110 W</p>
Steady State Consumption:	0.04 gal (0.15 liter) / hour
EP Head Compatible:	Yes
Quick Service Feature:	NO
Vacuum Insulated:	Yes
Soft Dose Compatible:	Yes
No Bottle, No Dose Feature:	Yes
Hose Length:	3m (NOTE: Longer hoses up to 18 meters (60ft) available upon request)

Ultradoser 500S Specification

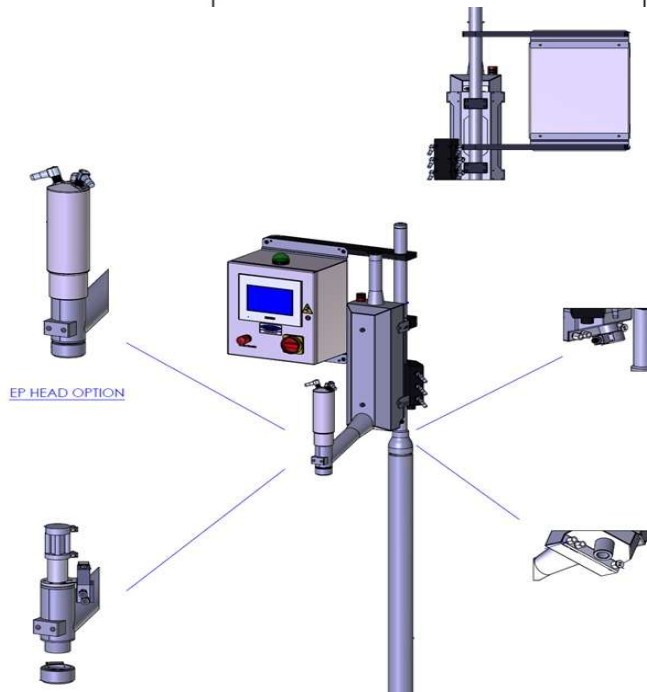
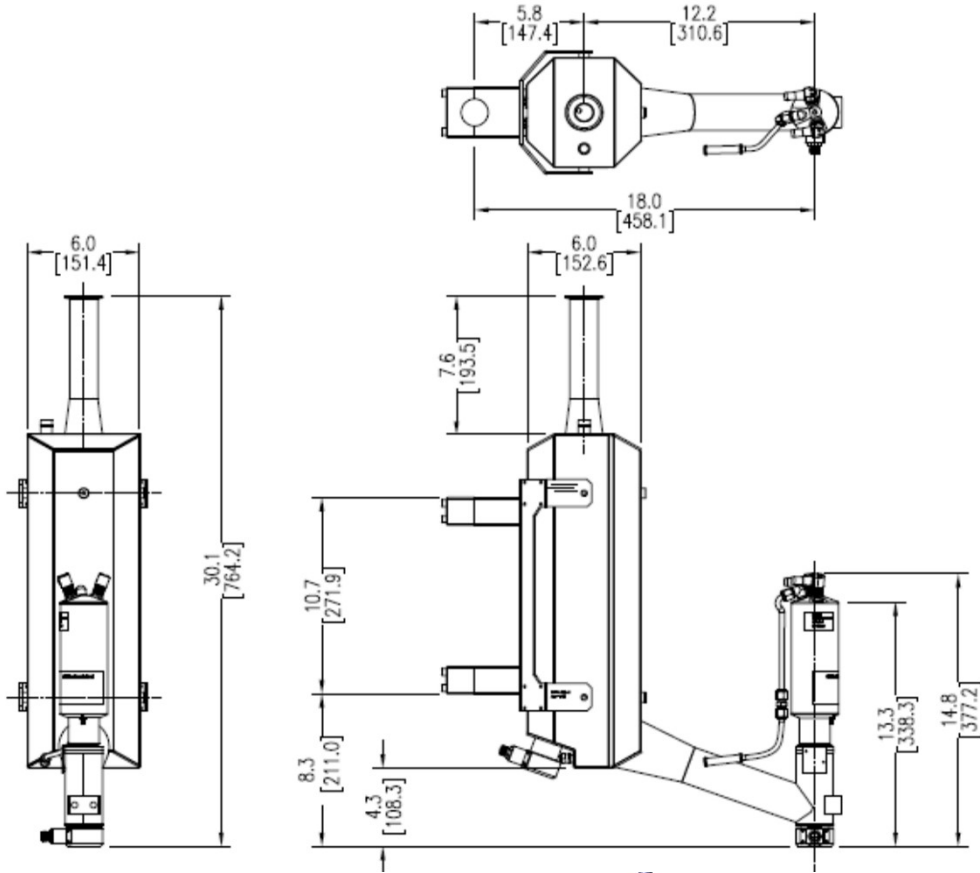
Controller – Technical Specifications

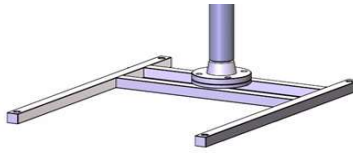
PLC Platform	Siemens S7-200
Display	Mono Keypad
Dose Duration	15 to 1000 ms (1 ms intervals)
Dose Volume	0.002 to 14 grams/dose
Encoder Compatible	No
Maximum Discrete Dosing (cpm)	500cpm, (30,000 CPH)
MicroDose™ Technology	No
Line Speed Auto Detect	No
Electronic Dose Targeting	Yes
Fixed Delay Mode	Yes
Speed Compensated Mode	Yes
Accuracy	± 5% of dose weight
Multiple Languages	No
RemoteDose™ Capable	No
IntelliDose™ Capable	No
Recipe Storage	No
Certifications	CE, NEMA 4X
Materials:	Stainless steel construction. Built to food and beverage industry standards.

General Information

Crate Dimensions:	58"L x 58"W x 24"H (1473 x 1473 x 609mm) 300 lbs with stand (136 kg) 225 lbs without stand (102kg)
-------------------	--

Ultradoser 500S Specification

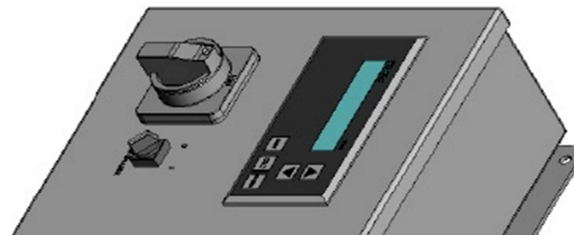
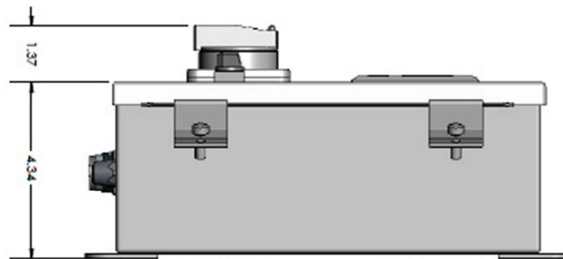
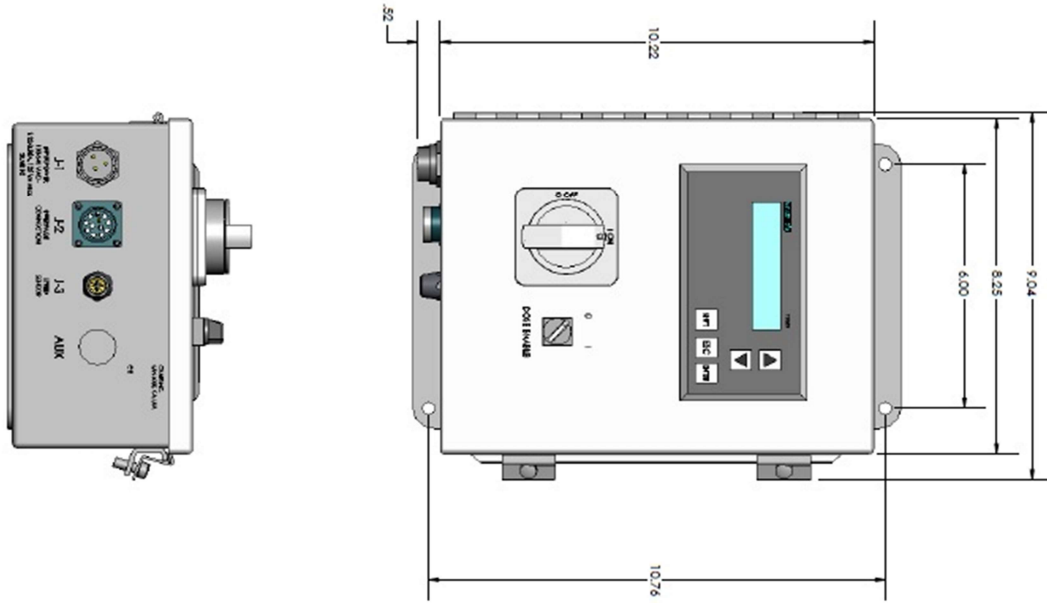




www.Chartdosers.com

Ultradoser 500S Specification

500S Controller Dimensions





Example of Liquid Nitrogen Feed Hose

PROPRIETARY AND CONFIDENTIAL
 THE MATERIALS AND INFORMATION, INCLUDING THE PRINCIPLES OF DESIGN PRESENTED BY THIS PRINT, IS THE EXCLUSIVE PROPERTY OF CHART IND. AND IS CONFIDENTIAL INFORMATION. ACCORDINGLY, THIS INFORMATION IS SUBMITTED TO YOU WITH THE AGREEMENT THAT IT IS NOT TO BE REPRODUCED, COPIED, OR LOANED, IN PART OR IN WHOLE, NOR IS THE INFORMATION TO BE RELAYED TO ANY COMPANY. ACCEPTANCE OF THIS DRAWING WILL BE CONSTRUED AS AN AGREEMENT TO THE ABOVE.

MAWP	200 PSIG
MIN. BEND RADIUS	

XX

1/2" -45 FEMALE FLARE P/N 85E

EVAC PORT

625 MALE BAYONET

1/4" FPT

P/N: 123-088-20

CHART		CHART INDUSTRIES	
161 BAYPOINTE PKWY., SAN JOSE, CA 95134		161 BAYPOINTE PKWY., SAN JOSE, CA 95134	
MAIL: (408) 571-3333 FAX: (408) 577-1547		MAIL: (408) 571-3333 FAX: (408) 577-1547	
WWW.CHARTINDUSTRIES.COM		WWW.CHARTINDUSTRIES.COM	
SCALE: NTS	TOL: 1/2A	DWN: LR	DATE: 01/31/12
QUANTITY: 1	MATERIAL: 304 SS	CHK: -	DATE: -
REP: 16006	D/W: 1/2A	APP: -	DATE: -
1/2" CRYOTECHFLEX LN2 SPOOL SECTION			
(1) 1/2" FEMALE FLARE			
(1) 625 MALE BAYONET			

REV.	DESCRIPTION	DRAWN BY	APPROVED	DATE	DWG.: CSJ-000095	REV.:	PAGE: 1 OF 1
------	-------------	----------	----------	------	------------------	-------	--------------



- Start connection Type: 1/2 SAE 45 (AKA 1/2" JIC)
- Enc Connection Type 625 Male Bayonet with 1/4" FPT thread for filter insert
- Wrapping Options: Available in Braided outer or Spiral Wrapped
- Length: Dosing systems come with 3m as standard. Option to increase length

in 300mm increments up to 18m in total

Material: 316 Stainless Steel

Weight: Length dependent

www.Chartdosers.com